

**Fisher & Paykel**

# 5kg AeroSense Dryer

DE50F56E1



**Features:**

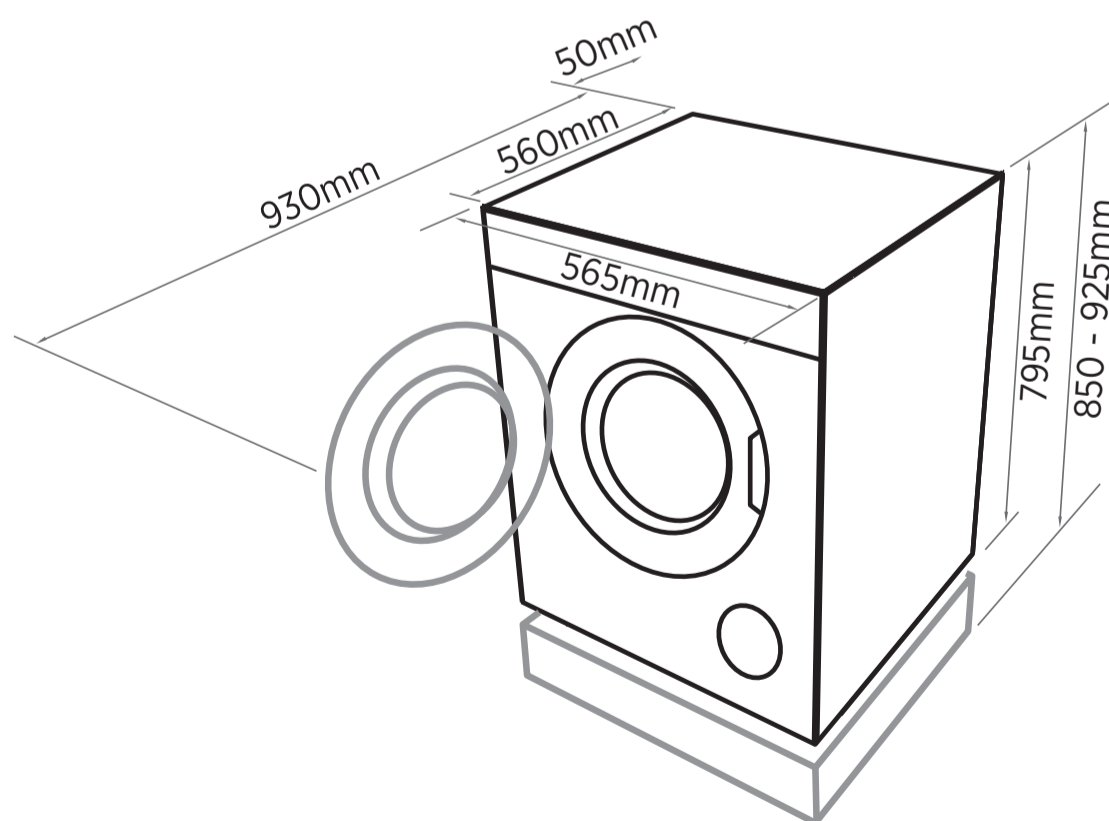
- Auto-sensing, reverse tumbling to prevent tangling
- LED control panel
- Five Dryness settings
- Wrinkle Free option
- Lint Filter
- Delay Start 3,6,9 hours
- Regular, Low, Airing temperature settings

**Energy Rating:** 2 star

**Warranty:** 2 Year Parts and Labour

**Dimensions (HxWxD):** 790 x 565 x 560mm

**Finish:** White



NOTE: Images, specifications and dimensions correct at time of publishing. It is advised that these details be confirmed prior to construction as no liability will be taken by Harvey Norman Commercial for any changes in specifications.