



600mm Multifunction Oven

SAC578X



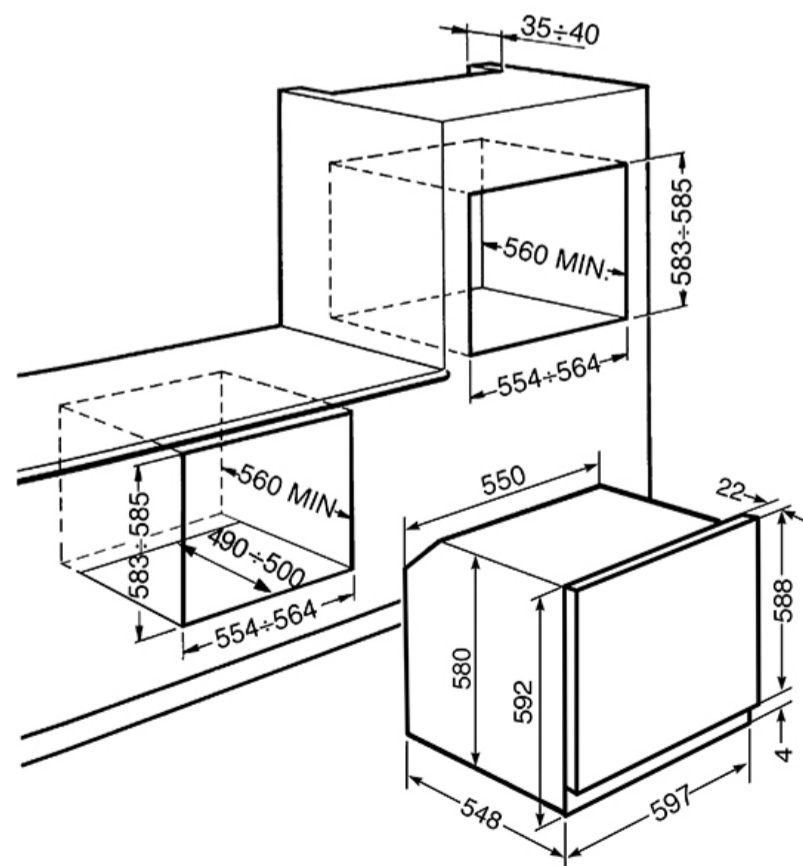
Features:

- Thermoseal electric oven
- 79 litre capacity
- Underbench or wallmount
- 9 functions
- Vapor Clean selection, Smeg EverClean enamel
- Hyclean
- Flexizone

Warranty: Two years parts and labour

Dimensions (WxDxH): 597 x 570 x 592mm

Finish: Satin Stainless Steel



NOTE: Images, specifications and dimensions correct at time of publishing. It is advised that these details be confirmed prior to construction as no liability will be taken by Harvey Norman Commercial for any changes in specifications.



600mm Gas Cooktop

CIR66X3



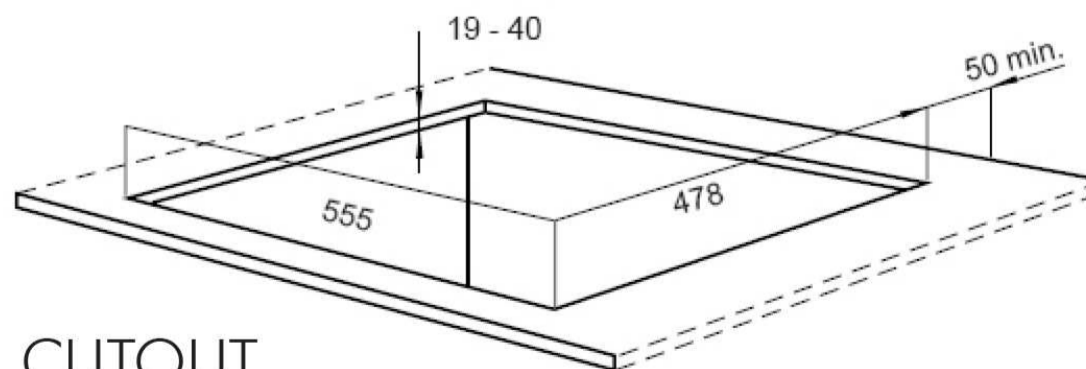
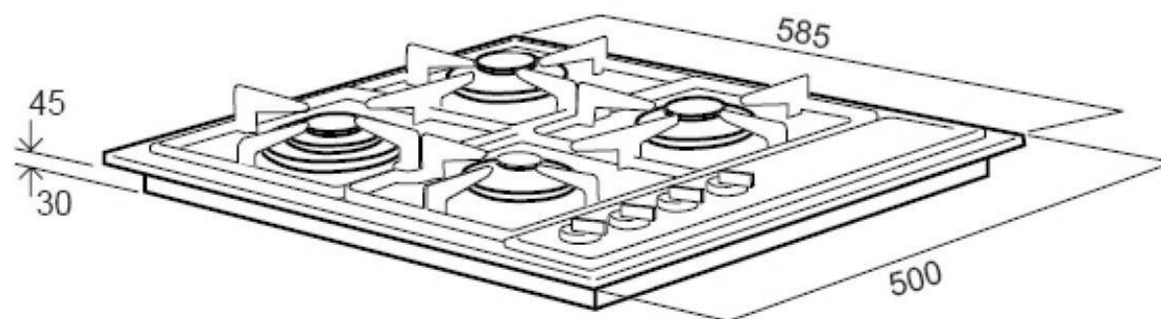
Features:

- Electronic ignition
- 1.3 metre length connected, suitable for standard • 10 amp GPO
- Set for natural gas: regulator supplied adaptable for ULPG
- Flame failure device fitted

Warranty: 2 Years

Dimensions (WxDxH): 585 x 500 x 45mm

Finish: Stainless Steel



CUTOUT

NOTE: Images, specifications and dimensions correct at time of publishing. It is advised that these details be confirmed prior to construction as no liability will be taken by Harvey Norman Commercial for any changes in specifications.



600mm Undermount Rangehood with LED Strip Lighting

PUM60X

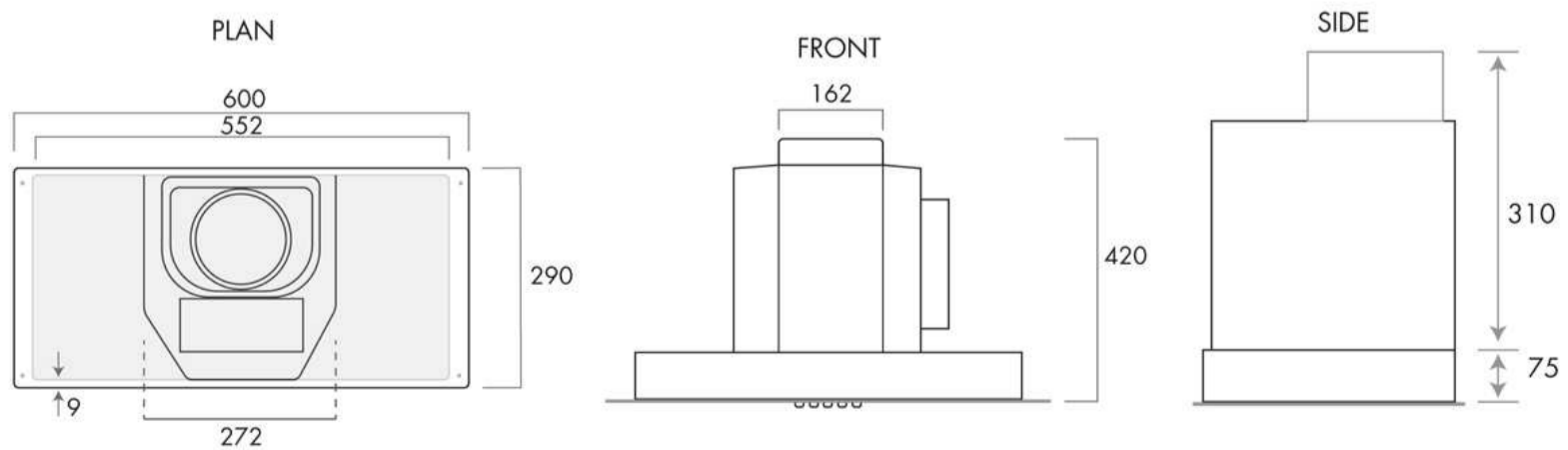


Features:

- 450m³/hr air extraction
- Centrifugal motor
- Concealed Installation
- 58dBA noise level
- Aluminum grease filters
- Double impellers
- Ducted or recirculated

Dimensions (WxDxH): 600 x 290 x 420mm

Finish: Stainless Steel



NOTE: Images, specifications and dimensions correct at time of publishing. It is advised that these details be confirmed prior to construction as no liability will be taken by Harvey Norman Commercial for any changes in specifications.